

Spare parts
Gram Process
KP 60

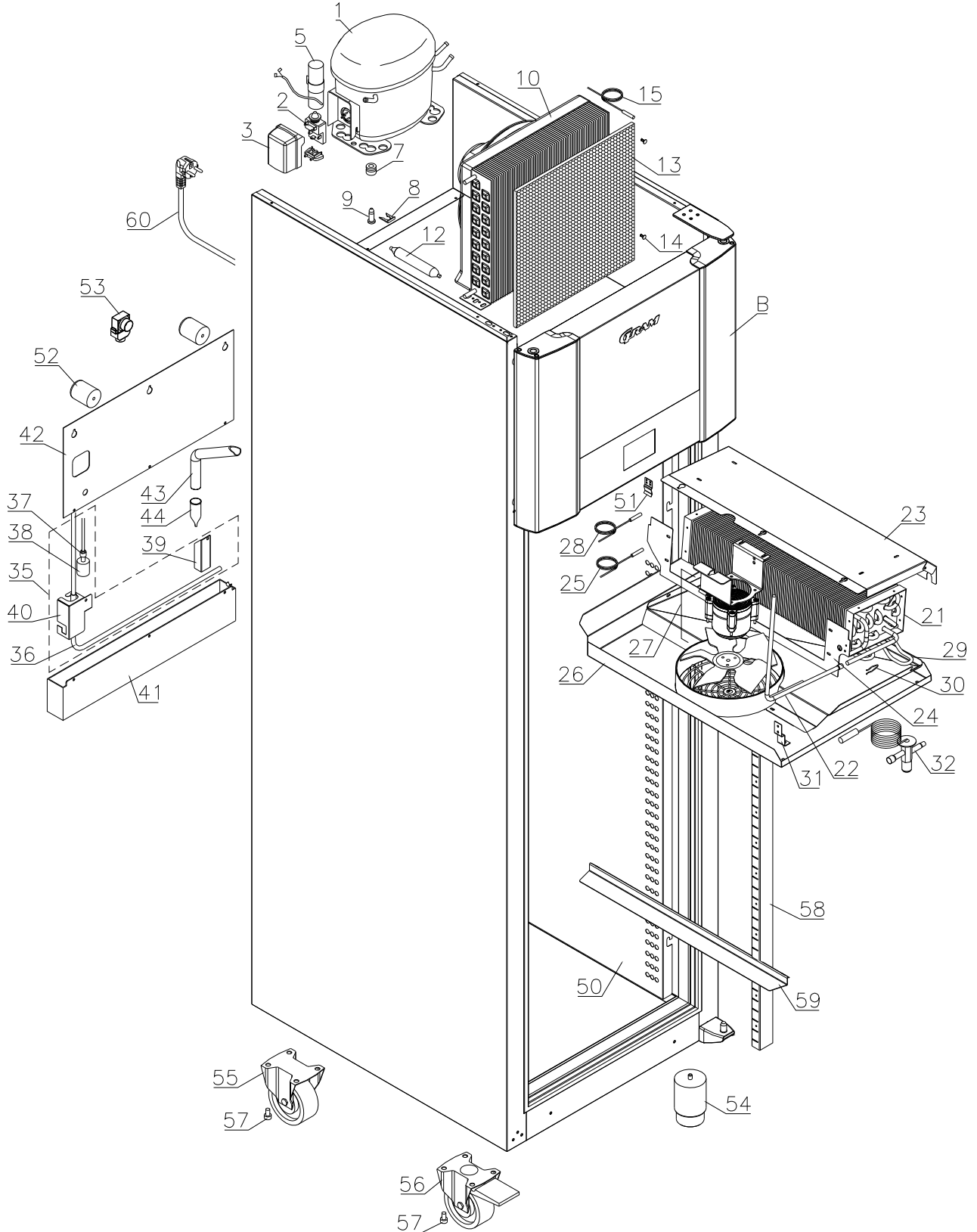


Description :

**Spare parts list
Gram Process KP 60**

Compiled.		Latest revision.			Deleted.	
Date	Name	Date	Name	Rev.no	Date	Name
10.05.16	JP	19.03.18	JP	002		

A. KP 60 G Cabinet / refrigeration system

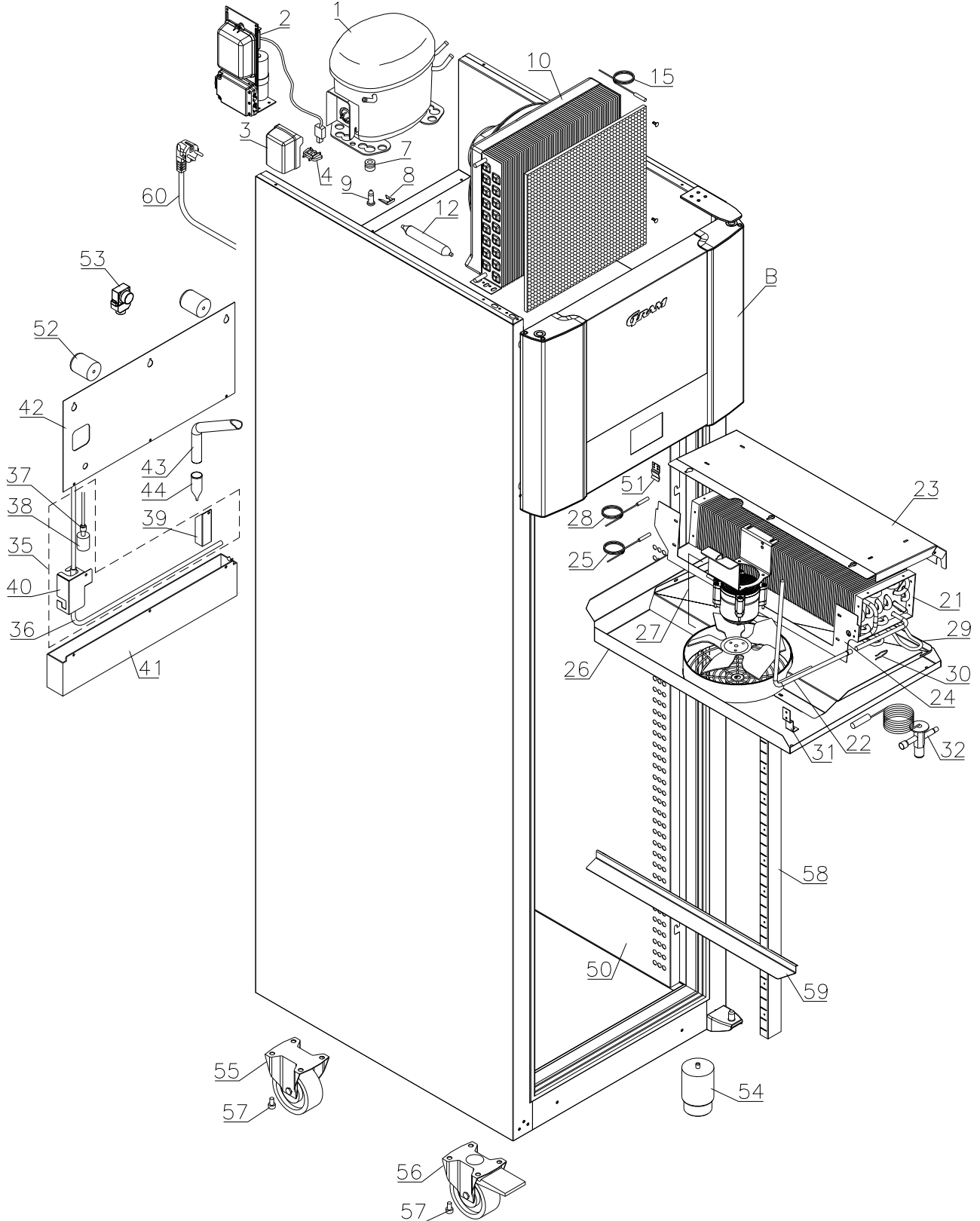


Description :

Spare parts list
Gram Process KP 60

Compiled.		Latest revision.			Deleted.	
Date	Name	Date	Name	Rev.no	Date	Name
10.05.16	JP	19.03.18	JP	002		

A. KP 60 H Cabinet / refrigeration system

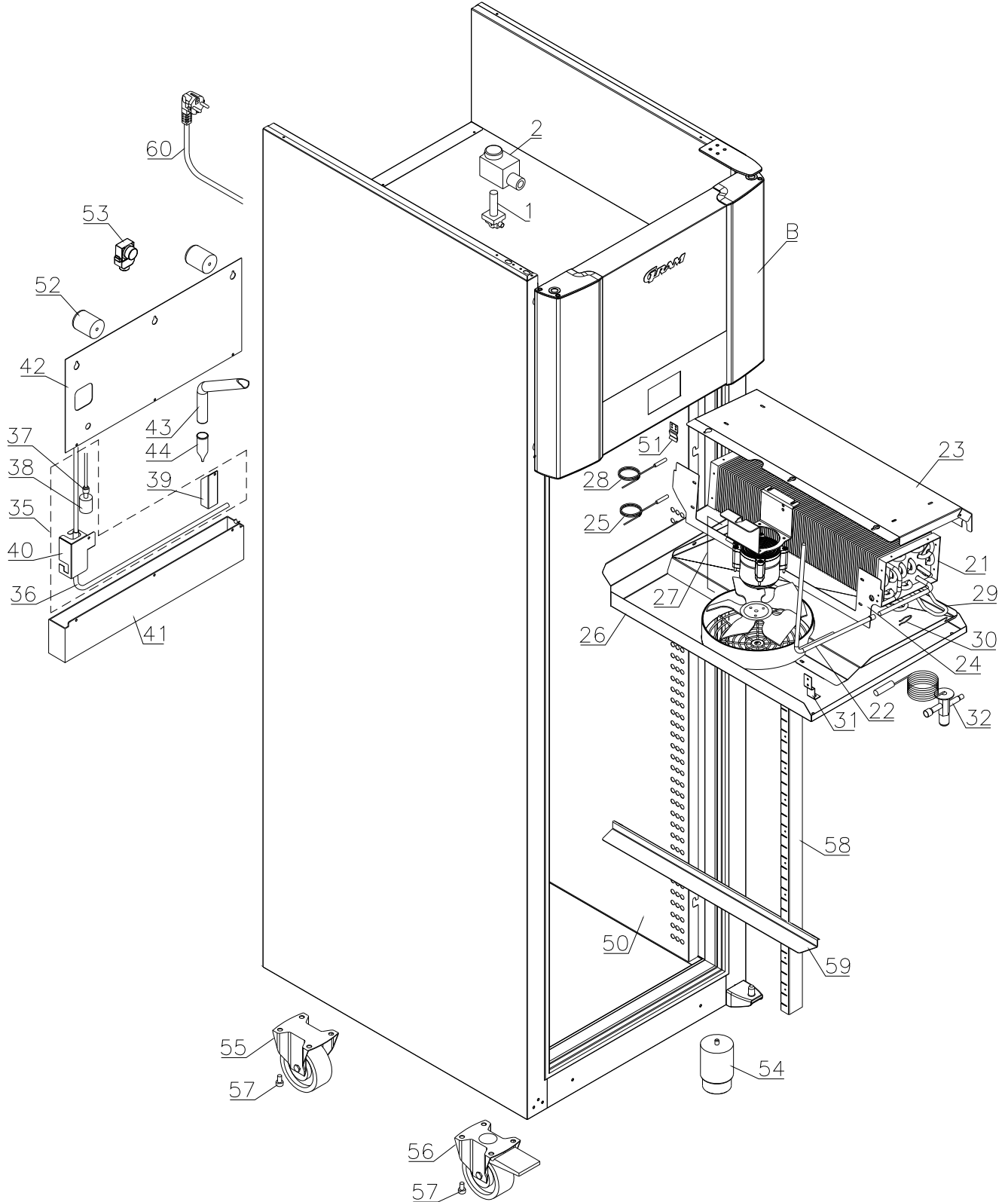


Description :

Spare parts list
Gram Process KP 60

Compiled.		Latest revision.			Deleted.	
Date	Name	Date	Name	Rev.no	Date	Name
10.05.16	JP	19.03.18	JP	002		

A. KP 60 F Cabinet / refrigeration system

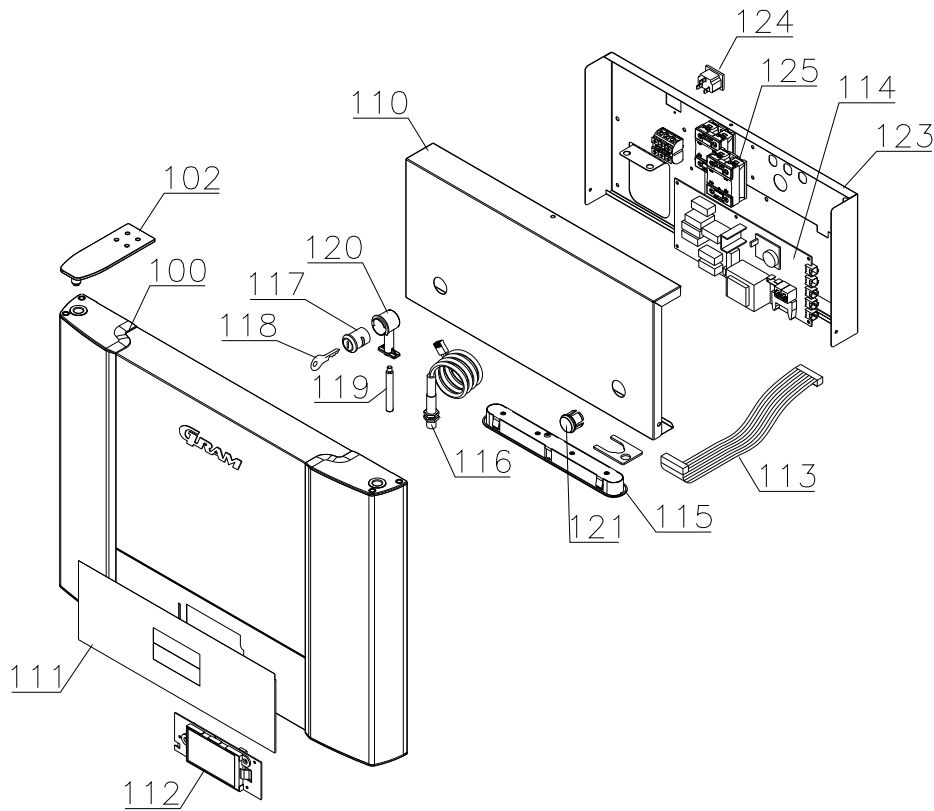


Description :

**Spare parts list
 Gram Process KP 60**

Compiled.		Latest revision.			Deleted.	
Date	Name	Date	Name	Rev.no	Date	Name
10.05.16	JP	19.03.18	JP	002		

B. Front panel/electrical parts

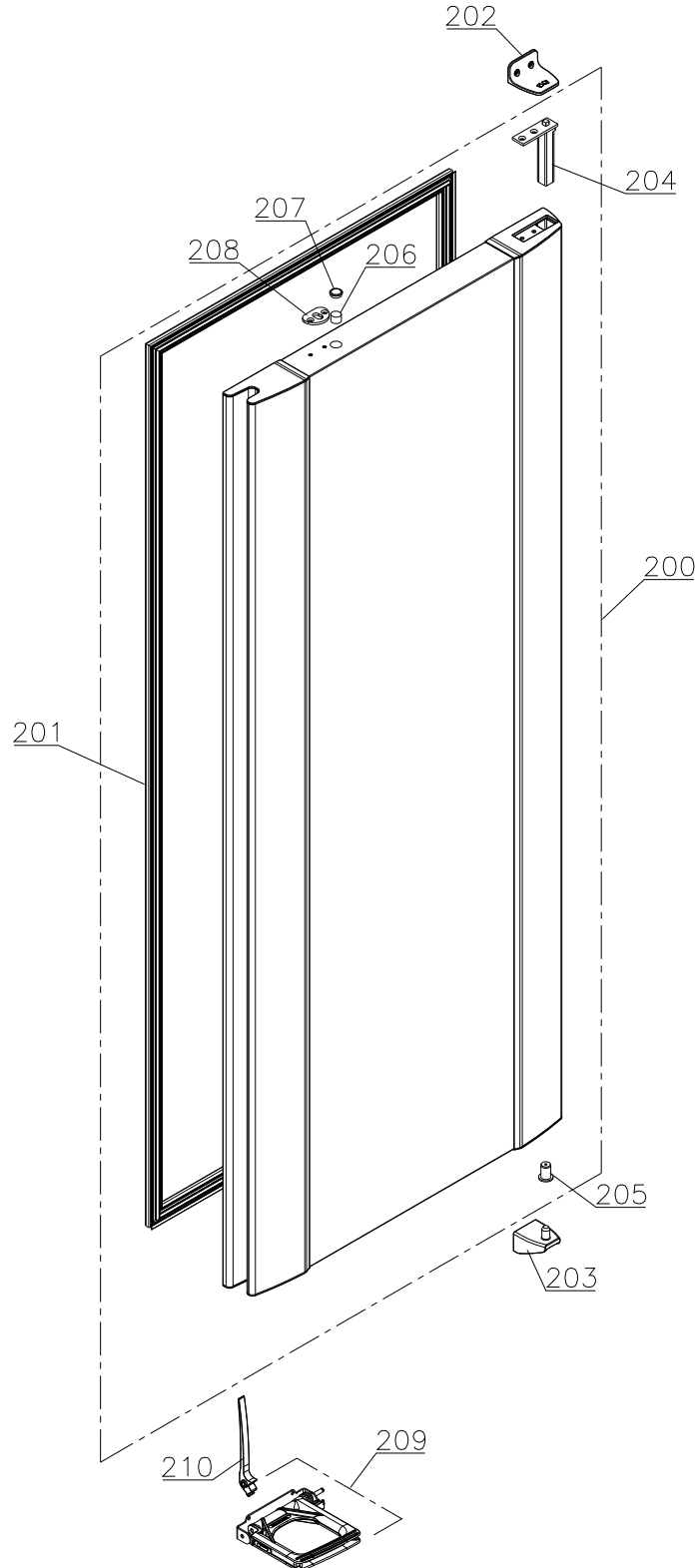


Description :

**Spare parts list
 Gram Process KP 60**

Compiled.		Latest revision.			Deleted.	
Date	Name	Date	Name	Rev.no	Date	Name
10.05.16	JP	19.03.18	JP	002		

C. Door



Gram Commercial
Technical information

765041946

Description :

Spare parts list
Gram Process KP 60

Compiled.		Latest revision.			Deleted.	
Date	Name	Date	Name	Rev.no	Date	Name
10.05.16	JP	19.03.18	JP	002		

Item no.	Description	Gram part no.	Serial no.: Issued	Deleted
----------	-------------	---------------	-----------------------	---------

A. Cabinet / refrigeration system

KP 60 G:

1	Compressor SC21CNX.2	502900014	0516	
2	Starting relay	410589043	0516	
3	Cover	452440280	0516	
4	Cord relief	452440292	0516	
5	Start capacitor 125µF	451720022	0516	
7	Rubber bush	760080519	0516	
8	Compressor clip	760082367	0516	
9	Compressor screw	760082711	0516	
10	Condenser complete	765080299	0516	
12	Filter drier	765080159	0516	
13	Air filter	763252069	0516	
14	Attachment plug	765081250	0516	
15	Condenser sensor	453531500	0516	
21	Evaporator	765080185	0516	
22	Heat exchanger	760080963	0516	
23	Evaporator suspension	763256306	0516	
24	Evaporator cover	763256300	0516	
25	Defrost sensor	453531501	0516	
26	Drip tray complete	763256419	0516	
27	Evaporator fan complete	761250780	0516	
28	Room sensor	453531501	0516	
29	Defrost heater	765072061	0516	
30	Clip for defrost heater	763251227	0516	
31	Drip tray bracket	761253442	0516	
32	Thermostatic valve	413165018	0516	
35	Re-evaporation kit	763254026	0516	
36	Re-evaporation heater	765072794	0516	
37	Float switch	765072000	0516	
38	Plastic cap	450450080	0516	
39	Heater bracket	763250002	0516	
40	Heater/float switch bracket	763250003	0516	
41	Re-evaporation tray	765081149	0516	
42	Cover plate	763251895	0516	
43	Drain pipe	765081253	0516	
44	Water trap	760082891	0516	

Gram Commercial
Technical information

765041946

Description :

Spare parts list
Gram Process KP 60

Compiled.		Latest revision.			Deleted.	
Date	Name	Date	Name	Rev.no	Date	Name
10.05.16	JP	19.03.18	JP	002		

Item no.	Description	Gram part no.	Serial no.: Issued	Deleted
<u>KP 60 H:</u>				
1	Compressor SC21CL	500520350	0516	
2	Starting device	453051001	0516	
3	Cover	452440280	0516	
4	Cord relief	452440292	0516	
7	Rubber bush	760080519	0516	
8	Compressor clip	760082367	0516	
9	Compressor screw	760082711	0516	
10	Condenser complete	765080299	0516	
12	Filter drier	765080158	0516	
13	Air filter	763252069	0516	
14	Attachment plug	765081250	0516	
15	Condenser sensor	453531500	0516	
21	Evaporator	765080185	0516	
22	Heat exchanger	760080963	0516	
23	Evaporator suspension	763256306	0516	
24	Evaporator cover	763256300	0516	
25	Defrost sensor	453531501	0516	
26	Drip tray complete	763256419	0516	
27	Evaporator fan complete	761250780	0516	
28	Room sensor	453531501	0516	
29	Defrost heater	765072061	0516	
30	Clip for defrost heater	763251227	0516	
31	Drip tray bracket	761253442	0516	
32	Thermostatic valve	413165017	0516	
35	Re-evaporation kit	763254026	0516	
36	Re-evaporation heater	765072862	0516	
37	Float switch	765072049	0516	
38	Plastic cap	450450080	0516	
39	Heater bracket	763250002	0516	
40	Heater/float switch bracket	763250003	0516	
41	Re-evaporation tray	765081149	0516	
42	Cover plate	763251895	0516	
43	Drain pipe	765081253	0516	
44	Water trap	760082891	0516	

Gram Commercial
Technical information

765041946

Description :

Spare parts list
Gram Process KP 60

Compiled.		Latest revision.			Deleted.	
Date	Name	Date	Name	Rev.no	Date	Name
10.05.16	JP	19.03.18	JP	002		

Item no.	Description	Gram part no.	Serial no.: Issued	Deleted
	<u>KP 60 F:</u>			
1	Solenid valve	410104002	0516	
2	Coil for solenoid valve	610296105	0516	
21	Evaporator	765080185	0516	
22	Heat exchanger	760080963	0516	
23	Evaporator suspension	763256306	0516	
24	Evaporator cover	763256300	0516	
25	Defrost sensor	453531501	0516	
26	Drip tray complete	763256419	0516	
27	Evaporator fan complete	761250780	0516	
28	Room sensor	453531501	0516	
29	Defrost heater	765072061	0516	
30	Clip for defrost heater	763251227	0516	
31	Drip tray bracket	761253442	0516	
32	Thermostatic valve R404A	413165010	0516	
32	Thermostatic valve Ru1	413165023	0516	
35	Re-evaporation kit	763254026	0516	
36	Re-evaporation heater	765072862	0516	
37	Float switch	765072049	0516	
38	Plastic cap	450450080	0516	
39	Heater bracket	763250002	0516	
40	Heater/float switch bracket	763250003	0516	
41	Re-evaporation tray	765081149	0516	
42	Cover plate	763251895	0516	
43	Drain pipe	765081253	0516	
44	Water trap	760082891	0516	

Gram Commercial
Technical information

765041946

Description :

Spare parts list
Gram Process KP 60

Compiled.		Latest revision.			Deleted.	
Date	Name	Date	Name	Rev.no	Date	Name
10.05.16	JP	19.03.18	JP	002		

Item no.	Description	Gram part no.	Serial no.: Issued	Deleted
----------	-------------	---------------	-----------------------	---------

Common parts:

50	Air distribution plate	763257613	0516	
51	Bracket	760250762	0516	
52	Distance bush	762251184	0516	
53	Air relief valve	765081206	0516	
54	Leg H=100-135 mm	765080118	0516	
54	Leg H=135-200 mm	765080115	0516	
55	Fixed castor H=109 mm	480270521	0516	
55	Fixed castor H=125 mm	480270520	0516	
56	Swivel castor H=109 mm	480270522	0516	
56	Swivel castor H=125 mm	480260050	0516	
57	Screw M8x12	422715000	0516	
58	Wall rail	818875007	0516	
59	Supports set of 2	818885007	0516	
60	Power cord EU	765072566	0516	
60	Power cord UK	765072567	0516	
60	Power cord DK	765072568	0516	

Description :

Spare parts list
Gram Process KP 60

Compiled.		Latest revision.			Deleted.	
Date	Name	Date	Name	Rev.no	Date	Name
10.05.16	JP	19.03.18	JP	002		

Item no.	Description	Gram part no.	Serial no.: Issued	Deleted
----------	-------------	---------------	-----------------------	---------

B. Control panel / electrical parts

100	Front panel complete, Stainless	763254079	0516
102	Panel hinge	763251787	0516
103	Magnet	763242013	0516
110	Junction box, front part	763252178	0516
111	Display label	765040690	0516
112	Display PCB	612900053	0516
113	Ribbon cable L=700	453582047	0516
114	Controller PCB, power part PR P01	763256006	0516
115	LED light bar	450742011	0516
116	Door switch	450400113	0516
117	Lock comb. A151	765080322	0516
117	Lock comb. A152	765080328	0516
117	Lock comb. A135	765080329	0516
117	Lock comb. A136	765080346	0516
117	Lock comb. A137	765080800	0516
117	Lock comb. A138	765080801	0516
117	Lock comb. A139	765080802	0516
117	Lock comb. A140	765080803	0516
117	Lock comb. A141	765080804	0516
117	Lock comb. A142	765080805	0516
117	Lock comb. A143	765080806	0516
117	Lock comb. A144	765080807	0516
118	Key A151	765080399	0516
119	Lock pin	765080048	0516
120	Lock housing	765080047	0516
121	Plug for lock housing	763252152	0516
122	Clip for LED bar	763252161	0516
123	Junction box, back part	763252181	0516
124	Appliance inlet	451022002	0516
125	Solid State relay	450200300	0516

Gram Commercial
Technical information

765041946

Description :

Spare parts list
Gram Process KP 60

Compiled.		Latest revision.			Deleted.	
Date	Name	Date	Name	Rev.no	Date	Name
10.05.16	JP	19.03.18	JP	002		

Item no.	Description	Gram part no.	Serial no.: Issued	Deleted
----------	-------------	---------------	-----------------------	---------

D. Door

200	Door complete	763254077	0516
201	Gasket	763256704	0516
202	Top hinge	763251782	0516
203	Bottom hinge	763251765	0516
204	Self closing device	763259909	0516
205	Bush	761220936	0516
206	Magnet for door switch	450401002	0516
207	Plastic plug	760082756	0516
208	Lock bracket	763250995	0516
209	Foot pedal, right	763251812	0516
209	Foot pedal, left	763251813	0516
210	Pedal arm	763251802	0516