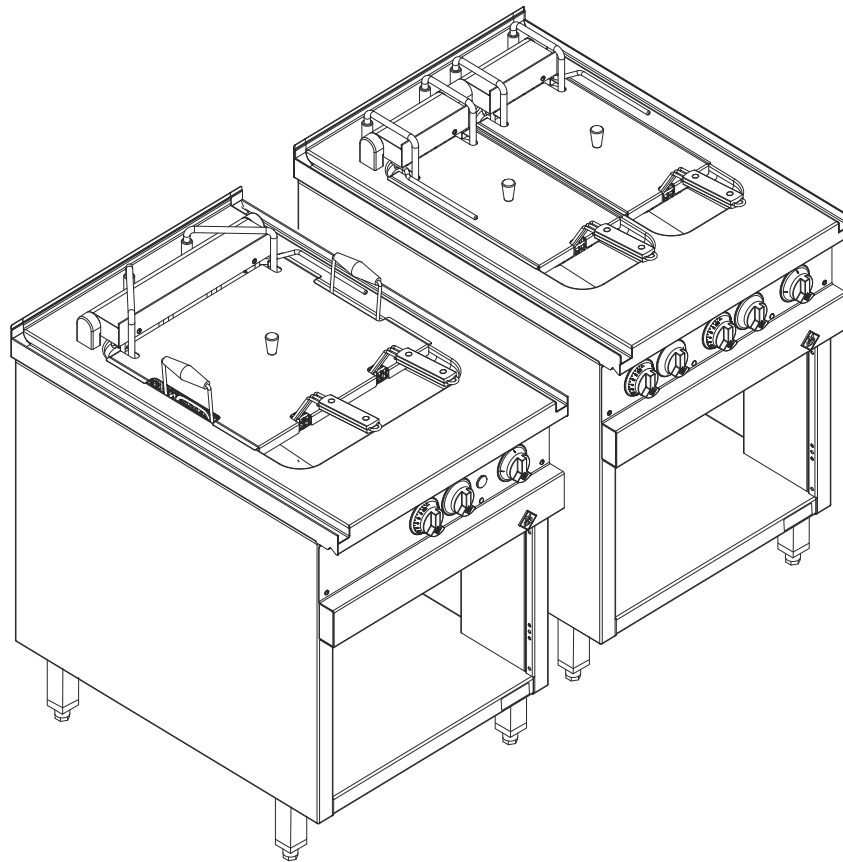


Read the operating instructions prior to commissioning

Operating instructions

Deep-fat fryer



Translation from the original document • 2020325A21ABDE-A • 27/03/2017

Unit	Type of energy	Unit type	Version	Model
London 2 Paris	Electric	Floor-standing unit	Lift mechanism	OPEFRIL2-HU O7EFRIL2-HU HLEFRIL2-HU OPEFRIPS-HU O7EFRIPS-HU HLEFRIPS-HU
		Countertop unit		SLEFRIL2-HU SLEFRIPS-HU

Operating and display elements

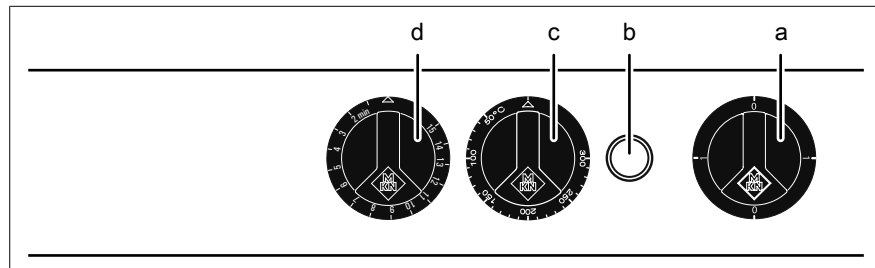


Image: Operating and display elements for Paris lifting deep-fat fryer

- a *On/Off* control knob
- b *Heating* indicator light
- c *Temperature* control knob
- d *Time* control knob

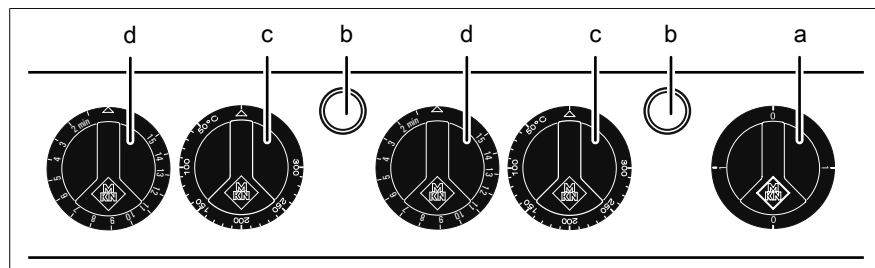


Image: Operating and display elements for London 2 lifting deep-fat fryer

- a *On/Off* control knob
- b *Heating* indicator light
- c *Temperature* control knob
- d *Time* control knob

Manufacturer

MKN Maschinenfabrik Kurt Neubauer GmbH & Co. KG
Halberstädter Strasse 2a
38300 Wolfenbüttel
Germany

Phone +49 5331 89-0
Fax +49 5331 89-280
Internet www.mkn.eu

Copyright

All rights to text, graphics and pictures in this documentation are held by MKN Maschinenfabrik Kurt Neubauer GmbH & Co. KG. Distribution or duplication is only permitted with the prior written consent of MKN.

Copyright by MKN Maschinenfabrik Kurt Neubauer GmbH & Co. KG.



1 Introduction	7
1.1 About this manual	7
1.1.1 Explanation of signs	8
1.2 Intended use	9
1.3 Guarantee, warranty and liability	9
2 Safety information	10
3 Description of the unit	13
3.1 Overview of the unit	13
3.2 Function of the operating and display elements	14
3.3 Application	15
3.3.1 Fill quantity	15
3.3.2 Operating temperature	15
4 Operating the unit	16
4.1 Tips for use	16
4.2 Switching the unit on and off	16
4.2.1 Switching on	16
4.2.2 Switching off	16
4.3 Removing the lifting arm and putting it on	16
4.3.1 Removing the lifting arm	17
4.3.2 Putting on the lifting arm	17
4.4 Swinging the heating element in and out	17
4.4.1 Swinging the heating element out	18
4.4.2 Swinging the heating element in	18
4.5 Basic functions	18
4.5.1 Setting the cooking temperature	18
4.5.2 Setting the cooking time	18
4.5.3 Starting the deep-frying cooking mode	19
4.5.4 Ending the deep-frying cooking mode	19
4.6 Pausing and end of use	20
4.6.1 Short pause	20
4.6.2 Longer pauses and end of use	20
4.7 Handling deep-frying oil	20
4.7.1 Ensuring that the oil is fit for human consumption	22
4.8 Filling the unit with deep-frying oil	23
4.8.1 Gently heating up deep-frying oil	23
4.9 Deep-frying	24
4.10 Emptying out the deep-frying oil	25
5 Cleaning and caring for the unit	26
5.1 Preventing corrosion	26
5.2 Removing rust spots	26
5.3 Cleaning the housing	26

5.4 Cleaning the heating element	27
5.5 Cleaning the deep-frying tank	27
5.6 Cleaning the drain	28
6 Troubleshooting	29
6.1 Cause of failure and the remedy	29
6.2 Nameplate	30
7 Carrying out maintenance	31
8 Dispose of unit in an environmentally responsible manner	32
9 Manufacturer's declaration	33

1 Introduction

1.1 About this manual

The operating instructions are part of the unit and contain information:

- On safe operation,
- On cleaning and care,
- On remedies in case of faults.

Be aware of the following notes and adhere to them:

- Read the operating instructions completely before operating the unit for the first time.
- Make the operating instructions available to the operator at all times at the operating site of the unit.
- Insert any supplements from the manufacturer.
- Keep the operating instructions throughout the service life of the unit.
- Pass on the operating instructions to any subsequent operator of the unit.

Target group The target group of the instruction manual is the operator, who is entrusted with the operation, cleaning and care of the unit.

Figures All figures in this manual are intended as examples. Discrepancies between these and the actual unit can arise.

1.1.1 Explanation of signs



DANGER
Imminent threat of danger

Failure to comply will lead to death or very severe injuries.



WARNING
Possible threat of danger

Failure to comply can lead to death or very severe injuries.



CAUTION
Dangerous situation

Failure to comply can lead to slight or moderately severe injuries.

ATTENTION
Physical damage

Failure to comply can cause physical damage.



Notes for better understanding and operation of the unit.

Symbol / sign	Meaning
•	Listing of information.
→	Action steps, which can be performed in any sequence.
1. 2.	Action steps, which must be performed in the specified sequence.
↳	Result of an action performed or additional information about it.

1.2 Intended use

This unit is intended to be used solely for commercial purposes, particularly in commercial kitchens.

This unit may only be used with suitable accessories and for the cooking of food.

It is forbidden to use the unit for purposes, which include the following:

- Drying cloths, paper or dishes
- Heating rooms
- Heating acids, alkaline solutions or other chemicals
- Heating flammable liquids
- Heating of closed containers (for example preserves)

The use of the unit is prohibited in the following countries:

- USA
- Canada

1.3 Guarantee, warranty and liability

The warranty is void and safety is no longer assured in the event of:

- Improper conversion or technical modifications of the unit,
- Improper use,
- Incorrect startup, operation or maintenance of the unit,
- Problems resulting from failure to observe these instructions.

2 Safety information

The unit complies with applicable safety standards. Residual risks associated with operation or risks resulting from incorrect operation cannot be ruled out and are mentioned specifically in the safety instructions and warnings.

The operator must be familiar with regional regulations and observe them.

Operation Individual below 16 years of age are not allowed to operate the unit.

During operation, the following group of individuals must be supervised by an individual who is responsible for safety:

- Individuals with physical, sensory, or mental handicaps, or who lack the knowledge and experience to operate the unit properly.

The supervising individual must be familiar with the unit and the risks associated with it.

Hot surfaces Risk of burns from hot surfaces

- Protect arms and hands by wearing suitable protective gloves.
- Do not touch heating elements, hot surfaces or accessories immediately after use.
- Allow surfaces to cool prior to cleaning.

Hot liquids Risk of burns from hot liquids

- Protect arms and hands by wearing suitable protective gloves.
- Remove, transport and empty baskets carefully.
- Observe the maximum filling quantity.
- Open the drain carefully and empty the unit.

Risk of scalding from hot oil

- Protect arms and hands by wearing suitable protective gloves.
- Prior to deep frying, remove excess ice from frozen foods to be cooked.
- Prior to deep frying, dry wet foods to be cooked.

Risk of chemical burns from evaporating cleaners

- Follow the instructions of the cleaning agent manufacturer.

Risk of burns from steam

- Protect arms and hands by wearing protective gloves.
- Open the drain carefully and empty the unit.
- Dry unit completely after cleaning it.

Defective unit Risk of injury from a defective unit

- Disconnect a defective unit from the electric mains.
- Do not operate a defective unit.
- Allow only an authorized technician to repair the unit.

Fire prevention Risk of fire from dirt and grease deposits

- Clean the unit when finished using it.
- When the oil starts to become rancid, replace the deep-frying oil completely; do not add oil.

Risk of fire from overheating

- Observe the unit during operation.
- Observe the maximum filling quantity.
- Observe the minimum filling quantity.

Firefighting

- In the event of a fire, disconnect the unit from the electric mains.
- Use a Fire Class F fire extinguisher, never water, to extinguish grease fires. Other fires, for instance, can be extinguished with fire extinguishers suitable for Fire Classes A, B, C, CO₂ fire extinguishers or extinguishing media suitable for the fire class confronted.

Unit on casters Risk of injury from a unit on casters

- Attach units with a wall side narrower than 600 mm to the wall at the installation site.
- Move the unit only for cleaning or maintenance.
- Lock casters during operation.
- Only move an empty unit.

Risk of a line breaking if subjected to high tensile load

- Secure the unit with a chain as a strain relief for the power connection at the installation site so that no tensile load is applied to the power connection if the unit is moved.

Improper cleaning Risk of chemical burns from cleaning agent

- Follow the instructions of the cleaning agent manufacturer.
- Take appropriate protective measures when handling aggressive cleaning agents.

Risk of falling on smooth floors

- Keep the floor in front of the unit clean and dry.

Risk of physical damage from improper cleaning

- Clean the unit after using it.
- Do not clean the unit with a high-pressure cleaner.
- Do not clean the housing with highly abrasive or chemically aggressive cleaning agents.
- Do not clean the housing with highly abrasive sponges.
- Follow the instructions of the cleaning agent manufacturer.
- Do not cool shock the unit by cooling it abruptly.
- Do not immerse the housing in water.

Hygiene Hygiene risk from rancid oil

- When the oil starts to become rancid, replace the deep-frying oil completely; do not add oil.

Health risk from insufficient hygiene

- Observe applicable regional hygiene regulations.
- Follow the cleaning instructions.

Improper use Risk of physical damage from improper use

- Do not operate the unit outdoors.
- Use only original accessories.
- Train operators regularly.
- Do not heat food warmer plates or tins of preserved food.
- Observe the unit during operation.
- Do not melt solid deep-frying oil in the deep-frying pan.
- Use only commercially available deep-frying oils when operating the unit.

3 Description of the unit

The unit is intended for universal use in commercial kitchens for cooking food. The unit may only be used for deep-frying starch- and protein-containing food with suitable deep-frying oils.

3.1 Overview of the unit

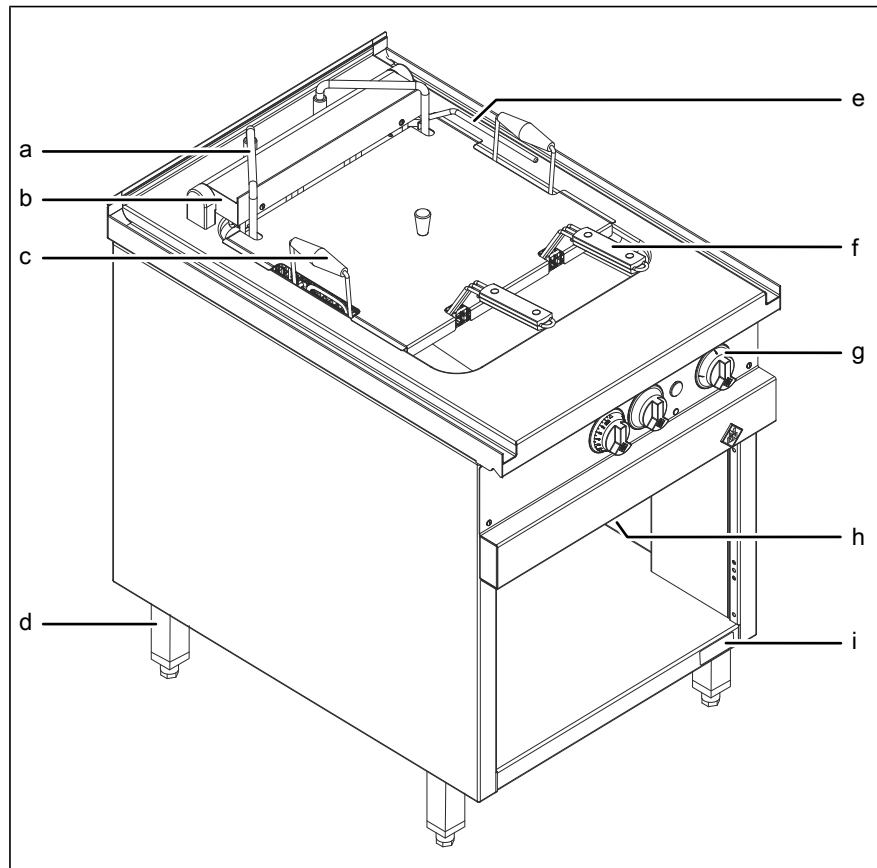


Image: Paris floor-standing deep-fat fryer with lift mechanism

- | | |
|----------------------------------|-------------------------------|
| a Lifting arm | f London 1 deep-frying basket |
| b Swivel mechanism housing | g Control panel |
| c Paris deep-frying basket | h Drain |
| d Equipment leg | i Nameplate |
| e Swivel mechanism control lever | |

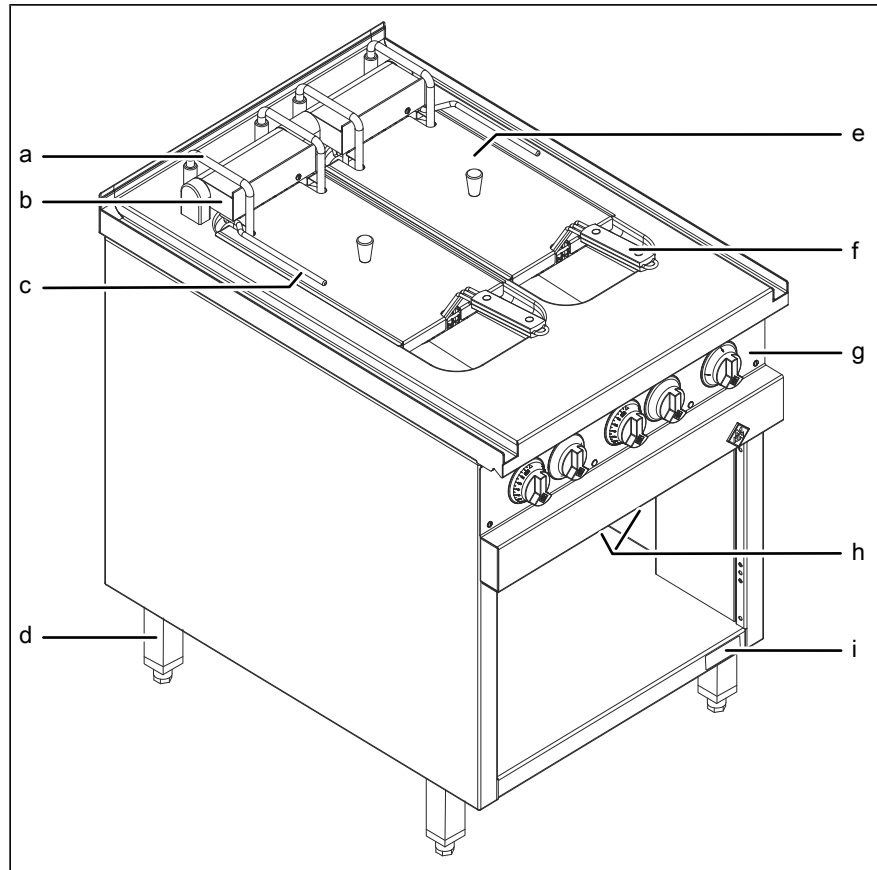




Image: London 2 floor-standing deep-fat fryer with lift mechanism

- a Lifting arm
- b Swivel mechanism housing
- c Swivel mechanism control lever
- d Equipment leg
- e Lid
- f London 1 deep-frying basket
- g Control panel
- h Drain
- i Nameplate

3.2 Function of the operating and display elements

Operating/display element	Symbol	Designation	Function
<i>On/Off</i> control knob	0	Off	Switching off the unit
	1	On	Switching on the unit
<i>Temperature</i> control knob		Off	Heating element off
	100 – 185 °C	Temperature	Setting the heating element; adjustable temperature
<i>Time</i> control knob		Off	Timer off
	2 — 15 min	Time	Adjustable time
<i>Heating</i> indicator light			Illuminates, if the heating element is active

3.3 Application

3.3.1 Fill quantity

Unit	Fill quantity of food to be cooked (kg)	Fill quantity of oil (l)
	Maximum	Minimum / Maximum
Paris	1 x 2.5	1 x 15 / 1 x 30
London 2	2 x 1.2	2 x 6.5 / 2 x 12.5

3.3.2 Operating temperature

Quantity	Temperature
Small to medium quantity	150 °C
Large quantity	160 – 180 °C

Recommended cooking temperature and cooking time

Food to be cooked	Cooking temperature (°C)	Cooking time (minutes)
Doughnuts	170	3 — 4
Cauliflower	170	2 — 3
Fish fillet	170	2 — 6
Trout	160	2 — 4
Chicken, portioned	170	3 — 8
Quick-frying food	170	2 — 4
Chips, pre-blanched and deep-frozen	180	3 — 5
Chips, pre-blanched and defrosted	180	2 — 3
Fried pastries	180	2 — 3
Onion rings	170	1 — 3

4 Operating the unit

4.1 Tips for use

In order to use the unit to its optimum and avoid heat loss:

- Reduce the temperature during brief pauses.
- Put the lid on during brief pauses.
- Unit with several deep-frying tanks: Switch off heat zones that are not required.

4.2 Switching the unit on and off

4.2.1 Switching on

→ Turn the *On Off* control knob to "1".

↳ The unit is now on.

4.2.2 Switching off

ATTENTION

Risk of physical damage from switching off improperly

If there is a power failure or the unit is switched off by a main switch, it does not switch off automatically. When the power supply is switched on again, the unit is still on.

- Make sure that the unit is switched off, when the power supply is switched on again.

→ Turn the *On Off* control knob to "0".

↳ The unit is now off.

4.3 Removing the lifting arm and putting it on

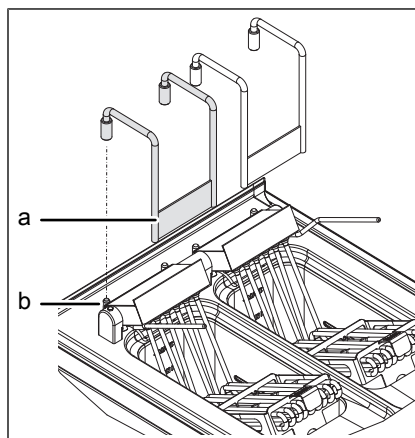


Image: Lifting arm

- a Lifting arm
- b Lifting cylinder

4.3.1 Removing the lifting arm

- Requirements**
- Unit switched off
 - Deep-frying tank emptied
 - Heating element swung into the deep-frying tank
 - Deep-frying basket unhooked and removed from the deep-frying tank
- Remove the lifting arm from the lifting cylinder.

4.3.2 Putting on the lifting arm

- Requirements**
- Unit switched off
 - Deep-frying tank emptied
 - Heating element swung into the deep-frying tank
- Put the lifting arm onto the lifting cylinder.

4.4 Swinging the heating element in and out



CAUTION
Risk of burns from hot surfaces

- Protect arms and hands by wearing suitable protective gloves.

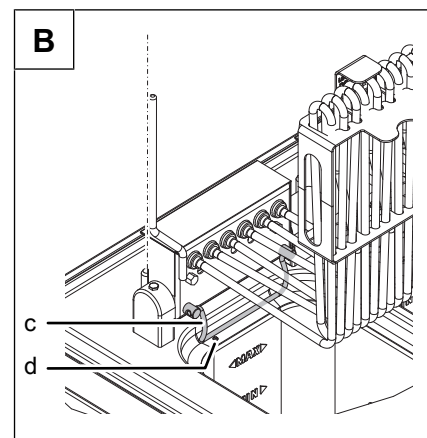
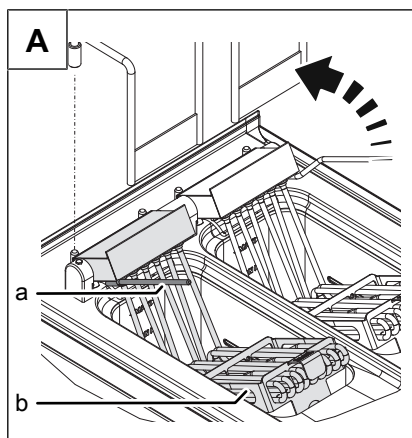


Image: Heating element, A) Slightly swung, B) Swung out and secured

- | | |
|----------------------------------|--|
| a Swivel mechanism control lever | c Heating element holder |
| b Heating element | d Catch for the heating element holder |

4.4.1 Swinging the heating element out

Requirements Unit has cooled down
Deep-frying tank emptied

1. Press the *Swivel mechanism* control lever upwards.
 - ↳ The heating element holder is supported on the edge of the deep-frying tank.
 - ↳ The heating element holder engages behind the catch.
 - ↳ Heating element swung out and secured.

4.4.2 Swinging the heating element in

Requirements Unit has cooled down
Deep-frying tank emptied

1. Press the *Swivel mechanism* control lever slightly upwards.
 - ↳ The load on the heating element holder is relieved.
2. Guide the heating element holder carefully over the catch.
 - ↳ The heating element holder is in contact with the rear of the deep-frying tank.
3. Using the *Swivel mechanism* control lever, swing the heating element into the deep-frying tank.

4.5 Basic functions

4.5.1 Setting the cooking temperature

- Set the *temperature* control knob to the desired temperature.
 - ↳ The *heating* indicator light illuminates.
- ↳ The *heating* indicator light goes out when the set temperature is reached.

4.5.2 Setting the cooking time

Requirement The unit is on
Cooking temperature set

- Set the *Time* control knob to the desired cooking time.
 - ↳ The cooking time is set.

4.5.3 Starting the deep-frying cooking mode



CAUTION

Risk of injury from deep-frying oil foaming over

- Protect arms and hands by wearing suitable protective gloves.
- Briefly defrost and dry any frozen food to be cooked.
- Dry wet food to be cooked.
- Do not exceed the maximum fill quantity for the food being cooked.

Requirements Drain closed

Filled with deep-frying oil

The unit is on

1. Put the lifting arm onto the lifting cylinder.
2. Hook the deep-frying basket onto the lifting arm.
3. Load the food to be cooked into the deep-frying basket.
 - ↳ Do not exceed the maximum fill quantity for the deep-frying baskets.
4. Set the cooking temperature.
 - ↳ The Heating indicator light goes out, after the cooking temperature has been reached.
5. Set the cooking time.
6. Press the Time control knob and start the the deep-frying cooking mode.
 - ↳ The deep-frying basket is lowered into the deep-frying tank.
 - ↳ An audible signal sounds, after the cooking time has expired.
 - ↳ The deep-frying basket is lifted out.

Tip

Observe the recommended cooking temperature and cooking time when deep-frying.

4.5.4 Ending the deep-frying cooking mode

Requirement The unit is on

Cooking process started

Cooking time has not expired

- Press the *Time* control knob.
 - ↳ A signal sounds.
 - ↳ The deep-frying basket is lifted out.
- ↳ The deep-frying cooking mode is ended

4.6 Pausing and end of use

4.6.1 Short pause

Requirement The unit is on
Lift mechanism moved out
The food being cooked has been removed

→ Turn the *Temperature* control knob to 120 °.

↳ The *Heating* indicator light illuminates continuously.

4.6.2 Longer pauses and end of use

Requirement The unit is on
Lift mechanism moved out
The food being cooked has been removed

1. Turn the *Temperature* control knob to *Off*.

↳ The *Heating* indicator light goes out.

2. Turn the *On/Off* control knob to "0".

↳ The unit is off.

4.7 Handling deep-frying oil



DANGER

Risk of explosion from hot oil or fat

Risk of a fat explosion when extinguishing burning fat or oil with water or an extinguishing agent that contains water.

- Always use a **Fire Class F** fire extinguisher to extinguish fat fires.
 - Smother the flame with a flame-retardant fire blanket.
 - Never extinguish burning fat with water!
-



CAUTION

Risk of burns from hot oil or fat that is foaming over

The use of old fat or fat with a high proportion of frying or coating residue increases the risk, that hot fat will foam over.

- Clean or replace fat in accordance with the manufacturer's instructions.
-



CAUTION
Risk of burns from emptying hot oil or fat

- Before emptying fat, allow it to cool to a temperature of < 100 °C.
- ⇒ Fill hot fat or oil into heat-resistant containers.
- ⇒ Only decant oil or fat into plastic containers after it has cooled down, so that the containers are not damaged.



CAUTION
Hygiene risk from fat residue

Fat residue is a hygiene risk.

- Avoid fat residue underneath the heating element.
- When replacing the fat, warm it to a temperature of maximum 100 °C.
- ⇒ Stir the fat with a suitable implement until it has reached temperature, so that the fat underneath the heating element is completely liquefied.



CAUTION
Hygiene risk from rancid oil

- When the oil starts to become rancid, replace the deep-frying oil completely; do not add oil.
- Observe the manufacturer's information regarding the duration of use of the deep-frying oil.

ATTENTION
Risk of fire from hot oil or fat

Spontaneous combustion of hot fat or oil can occur above approximately 350 °C.

The greater the proportion of frying or coating residue, the higher the risk of fire.

- Do not leave the unit unattended.
- Do not overheat the fat.
- "Smoking" fat means an increased risk of fire.
- Clean or replace fat in accordance with the manufacturer's instructions.

ATTENTION

Risk of fire from hot oil or fat

Old oil or fat has a lower ignition point.

The use of old fat or oil increases the risk of fire.

- Do not overheat the fat.
 - "Smoking" fat means an increased risk of fire.
 - Clean or replace fat in accordance with the manufacturer's instructions.
-

4.7.1 Ensuring that the oil is fit for human consumption

Deep-frying oil counts as food. It must be fit for human consumption.

The suitability of the deep-frying oil for human consumption can be checked with quick-tests from specialist shops (e.g. 3M oil test strip).

The suitability of the deep-frying oil for human consumption can be extended by the following measures:

- Shake loose breadcrumbs from breaded food, before the food is fried.
- Do not overheat deep-frying oil (160 – 180 °C is sufficient).
- Cover the unit with the lid during pauses.
- Do not reduce the temperature of the deep-frying oil below 120 °C during longer interruptions in operation.
- Deep-frying oil that has been consumed during operation should be supplemented by the amount consumed.
- Replace the deep-frying oil before it becomes rancid.
- Filter the deep-frying oil.
- Clean the unit carefully.
- Empty, clean and cover the unit when unused.
- If the deep-frying oil is not being used, store it hermetically sealed and cool away from light.

Collect rancid deep-frying oil in suitable containers and dispose of it properly in accordance with the regulations.

4.8 Filling the unit with deep-frying oil

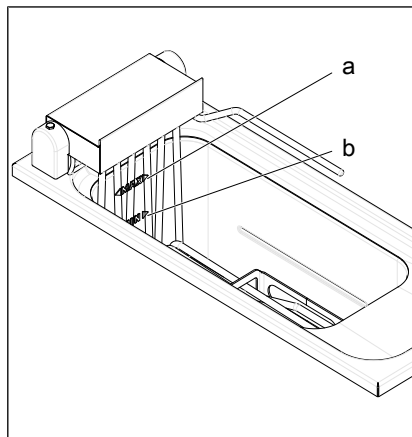


WARNING

Risk of burns from the oil

The deep-frying oil can ignite, if the minimum fill quantity is not met.

- Observe the fill level mark.



a Maximum fill level mark

b Minimum fill level mark

Requirements Unit switched off and cooled down

Drain closed

1. Remove the lid.
2. Warm solidified deep-frying fat in a saucepan before pouring in.
3. Fill the deep-frying oil in the quantity required for the food to be cooked.

4.8.1 Gently heating up deep-frying oil

In order to extend the suitability of the deep-frying oil for human consumption, the highest temperature setting should not be used when first heating up the oil at the start of operation. The deep-frying oil should be heated up slowly at the lowest temperature setting.

4.9 Deep-frying



CAUTION

Risk of injury from deep-frying oil foaming over

- Protect arms and hands by wearing suitable protective gloves.
 - Briefly defrost and dry any frozen food to be cooked.
 - Dry wet food to be cooked.
 - Do not exceed the maximum fill quantity for the food being cooked.
-

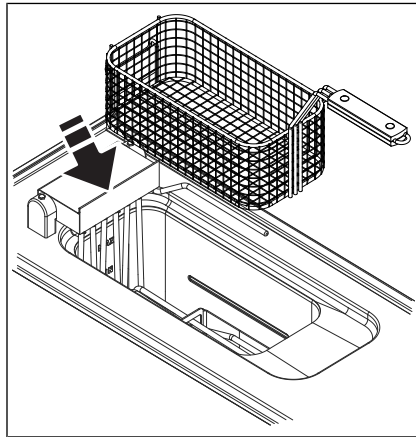


Image: Suspending the deep-frying basket on the swivel mechanism housing

Requirements Drain closed
Filled with deep-frying oil
The unit is on

1. Suspend the deep-frying basket on the swivel mechanism housing.
2. Load the food to be cooked into the deep-frying basket.
↳ Do not exceed the maximum fill quantity of the deep-frying baskets.
3. Set the cooking temperature.
↳ The Heating indicator light goes out, after the cooking temperature has been reached.
↳ Observe the recommended cooking temperatures and cooking times when deep-frying.
4. Insert the deep-frying basket into the deep-frying basin.
↳ The deep-frying starts.

Tip Observe the recommended cooking temperature and cooking time when deep-frying.

4.10 Emptying out the deep-frying oil



CAUTION

Risk of burns from emptying hot oil or fat

- Before emptying fat, allow it to cool to a temperature of < 100 °C.
- ⇒ Fill hot fat or oil into heat-resistant containers.
- ⇒ Only decant oil or fat into plastic containers after it has cooled down, so that the containers are not damaged.



CAUTION

Risk of scalding from hot oil

- Protect arms and hands by wearing suitable protective gloves.
- Use heat-resistant containers with handles and lockable lids for transportation.
- Observe the maximum fill quantity for the unit.



CAUTION

Risk of burns from hot surfaces

- Protect arms and hands by wearing suitable protective gloves.

Requirements

Deep-frying fat is liquid

Unit switched off

Deep-frying basket removed

Lifting arm removed from the lifting cylinder

Heating element swung out and engaged

1. Place a suitable collection container underneath.
2. Open the drain slowly.
3. Empty the deep-frying oil.
4. Close the drain.
5. Close the lid on the collection container when transporting.
6. Collect rancid deep-frying oil in a suitable container and dispose of it properly in accordance with the regulations.

5 Cleaning and caring for the unit



WARNING

Risk of scalding from hot steam

Hot deep-frying oil causes residual water to vaporise explosively.

- Dry deep-fat fryers completely after cleaning.
-



CAUTION

Risk of burns from hot surfaces

- Allow surfaces to cool prior to cleaning.
-

ATTENTION

Risk of physical damage from improper cleaning

- Do not clean the unit with a high-pressure cleaner or water jet.
-

5.1 Preventing corrosion

- Keep the surfaces of the unit clean and with access to air.
- Remove lime, grease, starch and protein deposits.
- Only expose parts made from non-rusting steel to brief contact with highly acidic foods, spices, salts or the like.
- Avoid damaging the stainless steel surface with other metal items, for example steel spatulas or steel wire brushes.
- Prevent contact with iron and steel, for example steel wool and steel spatulas.
- Do not use bleaching or chlorine-containing cleaning agents.
- Clean contact surfaces with water.

5.2 Removing rust spots

- Remove fresh rust spots with a mild abrasive or fine sandpaper.
- Always remove rust spots completely.
- Expose treated areas to fresh air for at least 24 hours. During this time, do not allow any contact with greases, oils or foods so that a new protective layer can form.

5.3 Cleaning the housing

Requirement Unit switched off and cooled down

- Clean the housing with warm water and commercially available washing-up liquid.

5.4 Cleaning the heating element

- Requirements** Deep-frying oil emptied
 Unit switched off and cooled down
 Deep-frying basket removed
 Lifting arm removed from the lifting cylinder
1. Close the drain.
 2. Place a suitable collection container underneath.
 3. Load in the water up to the *Maximum fill level* mark.
 4. Switch on the unit and heat the water to 90 °C.
 5. Switch off the unit.
 6. Allow incrustation to soak for approx. 30 minutes.
 - ↳ Add several drops of commercially available cleaning agent.
 7. Open the drain slowly and let the water run into the collection container.
 8. Close the drain.
 9. Swing the heating element out with the swivel mechanism control lever
 - ↳ The swivel mechanism locking lever engages.
 - ↳ The heating element cools down.
 10. Clean the heating element with a soft brush, warm water and a commercially available cleaning agent.
 11. Rinse with clear water and then dry thoroughly.
 12. Open the drain slowly and let the water run into the collection container.
 13. Clean the deep-frying tank (see "Cleaning the deep-frying tank").
 14. Lift the heating element slightly with the swivel mechanism control lever.
 15. Fold in the swivel mechanism locking lever.
 16. Swing the heating element back into the deep-frying basin with the swivel mechanism control lever.

5.5 Cleaning the deep-frying tank

- Requirements** Deep-frying oil emptied
 Unit switched off and cooled down
1. Close the drain.
 2. Place a suitable collection container underneath.
 3. Remove the deep-frying basket.
 4. Remove the lifting arm from the lifting cylinder.
 5. Swing the heating element out with the swivel mechanism control lever and let it engage.
 6. Lift the oil clarifying tray carefully out of the deep-frying tank and empty it.
 7. Thoroughly clean the deep-frying tank, deep-frying basket and oil clarifying tray with warm water and a mild cleaning agent.

8. Let the cleaning water drain away.
9. Rinse with clear water and then dry.
10. Clean and dry the drain and drain pipe thoroughly with a bottle brush.
11. Empty the collection container.
12. Hook in the oil clarifying tray.
13. Lift the heating element slightly with the swivel mechanism control lever and then fold in the swivel mechanism locking lever.
14. Swing the heating element back into the deep-frying basin with the swivel mechanism control lever.
15. Put the lifting arm on the lifting cylinder.
16. Insert the deep-frying basket.
17. Put the lid on.

5.6 Cleaning the drain

Requirements Deep-frying oil emptied
Unit switched off and cooled down
Deep-frying basket removed
Lifting arm removed from the lifting cylinder
Heating element swung out and engaged
Oil clarifying tray removed
Suitable collection container placed underneath

1. Open the drain completely.
2. Clean the drain thoroughly with a bottle brush.
3. Clean the drain with clear water.
 - ↳ Use a mild cleaning agent if required.
 - ↳ Rinse thoroughly with clear water.
4. Close the drain completely.

6 Troubleshooting

6.1 Cause of failure and the remedy

Failure	Possible causes	Remedy
The unit does not react	Operating element defective	<ul style="list-style-type: none"> • Disconnect the unit from the electric mains. • Contact Customer service.
	Fuse defective	<ul style="list-style-type: none"> • Disconnect the unit from the electric mains. • Contact Customer service.
	Ambient temperature is below 0 °C, the safety temperature limiter has tripped	<ul style="list-style-type: none"> • Disconnect the unit from the electric mains. • Contact Customer service.
The unit does not heat up	Unit defective	<ul style="list-style-type: none"> • Disconnect the unit from the electric mains. • Contact Customer service.
	Power supply interrupted	<ul style="list-style-type: none"> • Contact the authorized technical personnel.
	Temperature control knob or heating element is defective	<ul style="list-style-type: none"> • Disconnect the unit from the electric mains. • Notify Customer service.
	The unit is switched off	<ul style="list-style-type: none"> • Switch on the unit.
	Temperature control knob in the "△" position	<ul style="list-style-type: none"> • Set the temperature.
Insufficient heat output	Heating element defective	<ul style="list-style-type: none"> • Disconnect the unit from the electric mains. • Contact Customer service.
	Mains phase missing	<ul style="list-style-type: none"> • Contact the authorized technical personnel.
Unit switches off	No mains voltage	<ul style="list-style-type: none"> • Contact the authorized technical personnel.
The <i>Heating</i> indicator light does not illuminate	Unit or <i>Heating</i> indicator light is defective	<ul style="list-style-type: none"> • Disconnect the unit from the electric mains. • Contact Customer service.
Audible signal; continuous sound	The safety temperature limiter has tripped	<ul style="list-style-type: none"> • Disconnect the unit from the electric mains. • Contact Customer service.
Audible signal, intermittent sound	Operating temperature exceeded, oil level too low	<ul style="list-style-type: none"> • Acknowledge the fault • Check the oil level.

6.2 Nameplate

When contacting Customer service, please always provide the following data from the nameplate:

Serial number (SN)	
Type number (TYP)	

7 Carrying out maintenance

The unit is maintenance-free, there are no maintenance requirements.

8 Dispose of unit in an environmentally responsible manner

Do not dispose of unit or the unit's components together with non-recyclable waste. If the unit is disposed of together with non-recyclable waste or treated improperly, toxic substances contained in the unit can damage health and pollute the environment.

Dispose of the unit in accordance with local regulations for used appliances. Clarify any open questions with the responsible agencies (for instance, solid waste management).

Oil and fat Residue that contains oil and fat must be collected in suitable containers and disposed of in accordance with the local disposal regulations.

Cleaning agents Dispose of leftover cleaning agents and cleaning agent containers in accordance with the information provided by the cleaning agent's manufacturer. Observe applicable regional regulations.

Unit In addition to valuable materials, used electrical and electronic equipment also contains harmful substances that were needed for their operation and safety.

9 Manufacturer's declaration



EC Declaration of Conformity



Manufacturer

MKN Maschinenfabrik Kurt Neubauer GmbH & Co. KG • Halberstädter Straße 2a • 38300 Wolfenbüttel, Germany

We hereby declare, that the following product:

Description of the unit							
Unit for cooking food in commercial applications							
Unit type							
Electric deep-fat fryer with lifting mechanism							
Unit number							
1320325A	1320325C	1320330A	1320330C	1420325A	1420325C	1420330A	1420330C
2020325A	2020325C	2020330A	2020330C	2120325A	2120325C	2120330A	2120330C

complies with the relevant provisions of the following directives, but does not contain any assurance of properties:

- Directive 2006/42/EC dated 17 May 2006 on machinery
- Directive 2011/65/EU (RoHS) dated 01 July 2011
- Directive 2014/30/EU dated 26 February 2014 on electromagnetic compatibility
- REGULATION (EC) No. 1935/2004 dated 27 October 2004 on materials and objects, which are intended to come into contact with food

Added basis for verification
EN ISO 12100:2010
DIN EN 55014-1:2012-05
EN 60335-1:2012/A11:2014
EN 55014-2:2015
EN 60335-2-37:2002/AC:2007

The manufacturer bears the sole responsibility for issuing this Declaration of Conformity. This Declaration of Conformity becomes invalid, if changes are made which are not agreed with us.

Translation from the original document • 2020325A-OKODE-B

Wolfenbüttel, 12/05/2016

Person authorised to compile the technical documents:

ppa. Peter Helm, Chief Technical Officer (address as manufacturer)

2020325A21ABBE-A





www.mkn.eu

